

# New Teflon Wire Options

## New Teflon Wire Options from Micro-Measurements!

Micro-Measurements is excited to announce a new selection of Teflon PFA insulated wire added to our extensive strain gage installation accessories portfolio. These new wires are thin and very flexible with diameters ranging from 32 to 36 AWG, in solid and stranded versions, and temperature ratings up to 392 °F (200 °C). Ideally suited for a variety applications such as miniature sensors and transducers, wiring in machines and automotive applications, transducer internal wiring for loadcells and pressure sensors, medical applications, and more...

Teflon PFA insulation for operating temperature range up to 392 °F (200 °C)

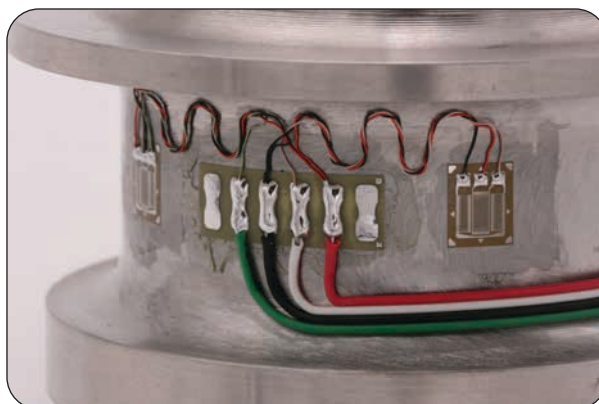
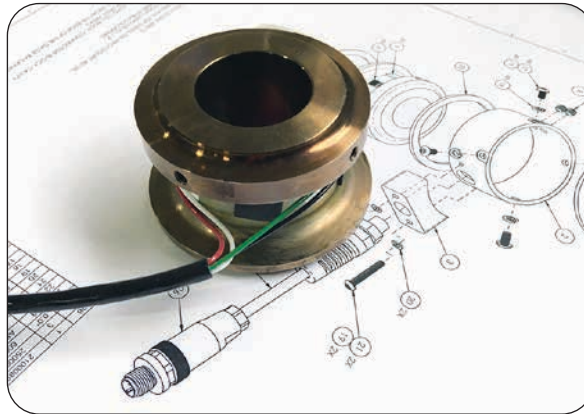
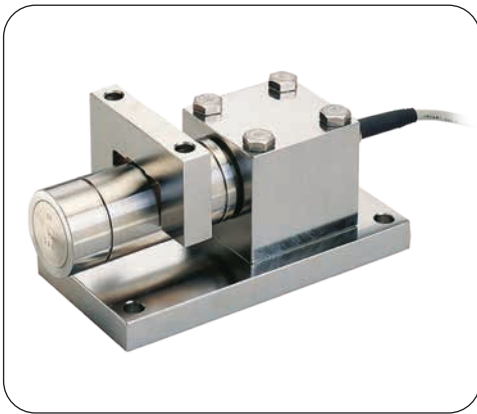
Many different color options with cables up to 12 conductors in one cable!

Resistant to oil, water and UV

Stranded versions offered with up to 19 strands for excellent flexibility.

FSZ versions offered with twisted conductors and a braided shield to reduce electrical noise

RoHS Compliant



# New Teflon Wire Options

## SINGLE CONDUCTOR – SOLID

Solid silver-plated copper wire, Teflon PFA insulation: Wide temperature range. Useful from -320 °F to +392 °F (-195 °C to +200 °C). Wire provided on spools of 328 feet (100 meters). Specify red, white, black, green, blue or yellow.

Part Number	Description	Colors	Strands	Conductor Size	Outside Diameter	Ohms/Foot
MMF337314	136-AWZ-W	WHITE	1	0.005"	0.011"	0.427
MMF337316	136-AWZ-R	RED	1	0.005"	0.011"	0.427
MMF337318	136-AWZ-B	BLACK	1	0.005"	0.011"	0.427
MMF337320	136-AWZ-G	GREEN	1	0.005"	0.011"	0.427
MMF337322	36-AWZ-BL	BLUE	1	0.005"	0.011"	0.427
MMF337324	136-AWZ-Y	YELLOW	1	0.005"	0.011"	0.427
MMF337326	134-AWZ-W	WHITE	1	0.0063"	0.012"	0.305
MMF337328	134-AWZ-R	RED	1	0.0063"	0.012"	0.305
MMF337330	134-AWZ-B	BLACK	1	0.0063"	0.012"	0.305
MMF337332	134-AWZ-G	GREEN	1	0.0063"	0.012"	0.305
MMF337334	134-AWZ-B	BLUE	1	0.0063"	0.012"	0.305
MMF337336	134-AWZ-Y	YELLOW	1	0.0063"	0.012"	0.305

## SINGLE CONDUCTOR – STRANDED

Stranded silver-plated copper wire, Teflon PFA insulation: Wide temperature range. Useful from -320 v to +392 °F (-195 °C to +200 °C). Wire provided on spools of 328 feet (100 meters). Specify red, white, black, or green.

Part Number	Description	Colors	Strands	Conductor Size	Outside Diameter	Ohms/Foot
MMF337333	132-FWZ-W	WHITE	19	0.0094"	0.019"	0.146
MMF337340	132-FWZ-R	RED	19	0.0094"	0.019"	0.146
MMF337342	132-FWZ-B	BLACK	19	0.0094"	0.019"	0.146
MMF337344	132-FWZ-G	GREEN	19	0.0094"	0.019"	0.146
MMF337346	134-FWZ-W	WHITE	7	0.0075"	0.015"	0.244
MMF337348	134-FWZ-R	RED	7	0.0075"	0.015"	0.244
MMF337350	134-FWZ-B	BLACK	7	0.0075"	0.015"	0.244
MMF337352	134-FWZ-G	GREEN	7	0.0075"	0.012"	0.244
MMF337354	136-FWZ-W	WHITE	7	0.0059"	0.012"	0.396
MMF337356	136-FWZ-R	RED	7	0.0059"	0.012"	0.396
MMF337358	136-FWZ-B	BLACK	7	0.0059"	0.012"	0.396
MMF337360	136-FWZ-G	GREEN	7	0.0059"	0.012"	0.396

# New Teflon Wire Options

## MULTICORE – SHIELDED CABLE

Stranded silver-plated copper wire, multi-conductor twisted cable, Teflon PFA insulation, braided shield, Teflon PFA jacket: small, flexible cable. For use from -320 °F to +392 °F (-195 °C to +200 °C). Wire provided on spools of 100 feet (30 meters).

Part Number	Description	Colors	Strands	Conductor Size	Outside Diameter	Ohms/Foot
MMF337362	336-FSZ	RED, WHITE, BLACK	7	0.0059"	0.043"	0.396
MMF337366	432-FSZ	RED, WHITE, BLACK, GREEN	19	0.0094"	0.065"	0.146
MMF337368	632-FSZ	RED, WHITE, BLACK, GREEN, BLUE, YELLOW	19	0.0094"	0.076"	0.146
MMF337370	1232-FSZ	RED, WHITE, BLACK, GREEN, BLUE, YELLOW, PURPLE, GREY, ORANGE, BROWN, PINK, NATURAL	19	0.0094"	0.1"	0.146
MMF337372	436-FSZ	RED, WHITE, BLACK, GREEN	7	0.0059"	0.046"	0.396
MMF337374	636-FSZ	RED, WHITE, BLACK, GREEN, BLUE, YELLOW	7	0.0059"	0.053"	0.396
MMF337376	1236-FSZ	RED, WHITE, BLACK, GREEN, BLUE, YELLOW, PURPLE, GREY, ORANGE, BROWN, PINK, NATURAL	7	0.0059"	0.068"	0.396

# New Teflon Wire Options

## MULTICORE – TAPE AND JACKET CABLE

Stranded silver-plated copper wire, multi-conductor twisted cable, Teflon PFA tape insulation, braided shield, Teflon PFA Tape with a black PUR jacket: Small, flexible cable. For use from -40 °F to +167 °F (-40 °C to +75 °C). Multicolors.

Part Number	Description	Colors	Strands	Conductor Size	Outside Diameter	Ohms/Foot
MMF337380	432-FJZ	RED, WHITE, BLACK, GREEN	19	0.0094"	0.087"	0.146
MMF337382	732-FJZ	RED, WHITE, BLACK, GREEN, BLUE, YELLOW, PURPLE	19	0.0094"	0.110"	0.146
MMF337378	1236-FJZ	RED, WHITE, BLACK, GREEN, BLUE, YELLOW, PURPLE, GREY, ORANGE, BROWN, PINK, NATURAL	7	0.0059"	0.056"	0.396

## MULTICORE – TWISTED CABLE

Stranded silver-plated copper wire, multi-conductor twisted cable, Teflon PFA insulation, flexible cable. For use from -320 °F to +392 °F (-195 °C to +200 °C). Multicolors. Wire provided on spools of 328 feet (100 meters).

Part Number	Description	Colors	Strands	Conductor Size	Outside Diameter	Ohms/Foot
MMF337386	336-FTZ	RED, WHITE, BLACK	7	0.0059"	0.026"	0.396

## Sales Contact

 mm@vpgsensors.com

micro-measurements.com

**DISCLAIMER:** ALL PRODUCTS, PRODUCT SPECIFICATIONS AND DATA ARE SUBJECT TO CHANGE WITHOUT NOTICE. Vishay Precision Group, Inc., its affiliates, agents, and employees, and all persons acting on its or their behalf (collectively, "VPG"), disclaim any and all liability for any errors, inaccuracies or incompleteness contained herein or in any other disclosure relating to any product. The product specifications do not expand or otherwise modify VPG's terms and conditions of purchase, including but not limited to, the warranty expressed therein. VPG makes no warranty, representation or guarantee other than as set forth in the terms and conditions of purchase. **To the maximum extent permitted by applicable law, VPG disclaims (i) any and all liability arising out of the application or use of any product, (ii) any and all liability, including without limitation special, consequential or incidental damages, and (iii) any and all implied warranties, including warranties of fitness for particular purpose, non-infringement and merchantability.** Information provided in datasheets and/or specifications may vary from actual results in different applications and performance may vary over time. Statements regarding the suitability of products for certain types of applications are based on VPG's knowledge of typical requirements that are often placed on VPG products. It is the customer's responsibility to validate that a particular product with the properties described in the product specification is suitable for use in a particular application. You should ensure you have the current version of the relevant information by contacting VPG prior to performing installation or use of the product, such as on our website at vpgsensors.com. No license, express, implied, or otherwise, to any intellectual property rights is granted by this document, or by any conduct of VPG. The products shown herein are not designed for use in life-saving or life-sustaining applications unless otherwise expressly indicated. Customers using or selling VPG products not expressly indicated for use in such applications do so entirely at their own risk and agree to fully indemnify VPG for any damages arising or resulting from such use or sale. Please contact authorized VPG personnel to obtain written terms and conditions regarding products designed for such applications. Product names and markings noted herein may be trademarks of their respective owners.